

Intermediate Power Transmission Repair Kit			
Conveyor Type	Part Number	Drawing Number	Description
250	--	14H B 400 00A	Intermediate Power Transmission Repair Kit T250
350	--	14H B 300 00A	Intermediate Power Transmission Repair Kit T350
500	--	14H B 200 00A	Intermediate Power Transmission Repair Kit T500
750	--	14H B 100 00A	Intermediate Power Transmission Repair Kit T750
1000	--	14H B 000 00A	Intermediate Power Transmission Repair Kit T1000

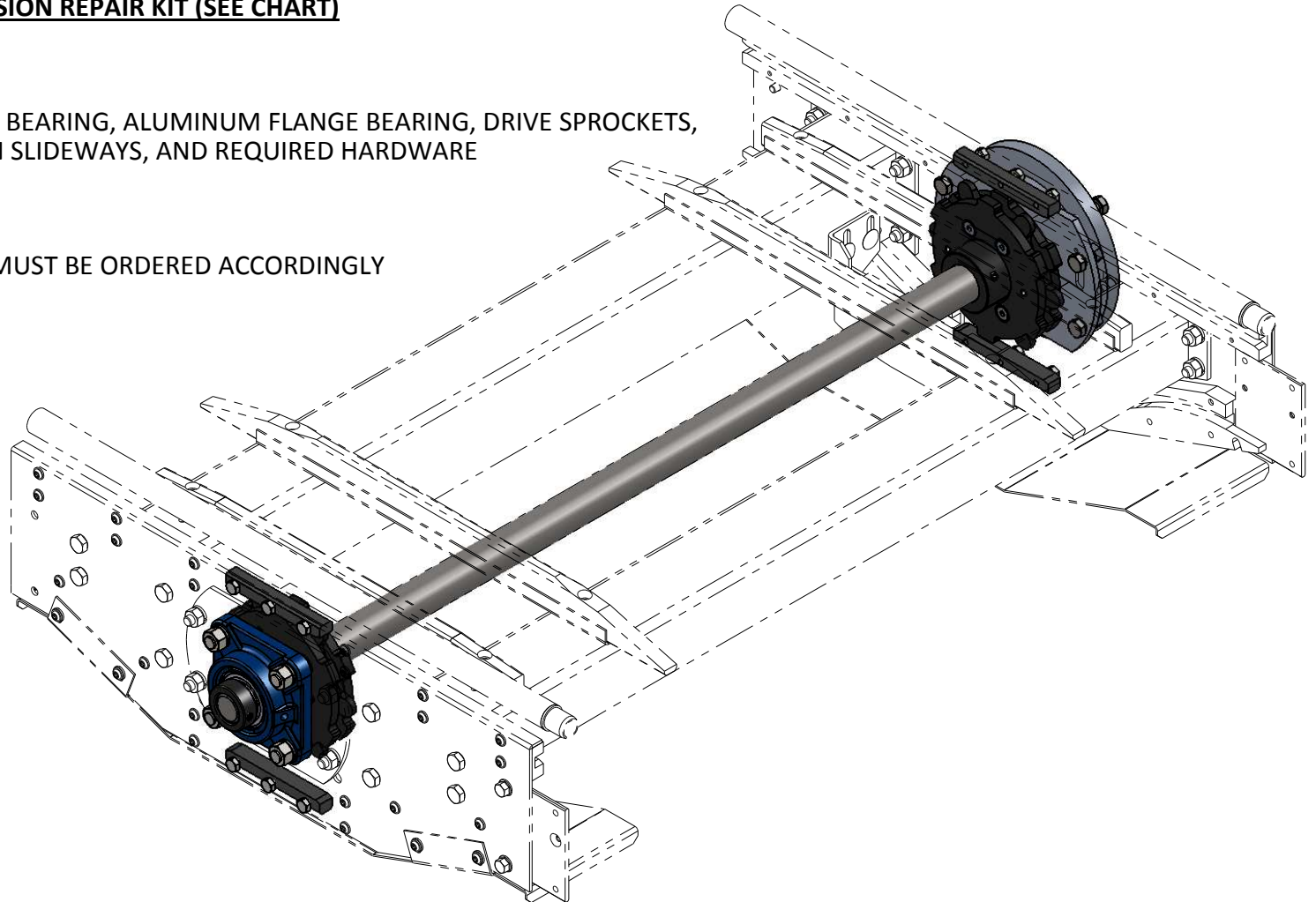
INTERMEDIATE POWER TRANSMISSION REPAIR KIT (SEE CHART)

KIT INCLUDES:

- DRIVE SHAFT, 4-BOLT FLANGE BEARING, ALUMINUM FLANGE BEARING, DRIVE SPROCKETS, PARALLEL KEYS, METAL CHAIN SLIDEWAYS, AND REQUIRED HARDWARE

NOTES:

- KITS ARE TYPE SPECIFIC AND MUST BE ORDERED ACCORDINGLY



ITEM NO.	DRAWING NO.	PART NO.	DESCRIPTION	T250	T350	T500	T750	T1000
1	185 500 55 02		Flange Complete Intermediate Drive	1	1	1	1	1
2	185 516 05 01		Chain Slideway, Metal	4	4	4	4	4
3	186 516 01 01		Drive Shaft T250	1	-	-	-	-
3	187 516 01 01		Drive Shaft T350	-	1	-	-	-
3	185 516 01 01		Drive Shaft T500	-	-	1	-	-
3	188 516 01 01		Drive Shaft T750	-	-	-	1	-
3	191 516 01 01		Drive Shaft T1000	-	-	-	-	1
4	705 001 03 00		Intermediate Drive Sprocket	2	2	2	2	2
5		21 56 067	M6 x 12 Hex Bolt, Zinc	12	12	12	12	12
6		21 56 087	M8 x 20 Hex Bolt, Zinc	8	8	8	8	8
7		21 56 088	M8 x 25 Hex Bolt, Zinc	4	4	4	4	4
8		21 63 109	M10 x 30 Countersunk Screw, Zinc	4	4	4	4	4
9		25 15 106	M8 Hex Nut, Zinc	8	8	8	8	8
10		25 15 107	M10 Hex Nut, Zinc	4	4	4	4	4
11		26 04 111	M8 Lock Washer, Zinc	8	8	8	8	8
12		26 04 112	M10 Lock Washer, Zinc	4	4	4	4	4
13		27 43 070	8 x 7 x 28 Parallel Key	3	3	3	3	3
14		34 10 205	4-Bolt Flange Bearing 25mm	1	1	1	1	1

