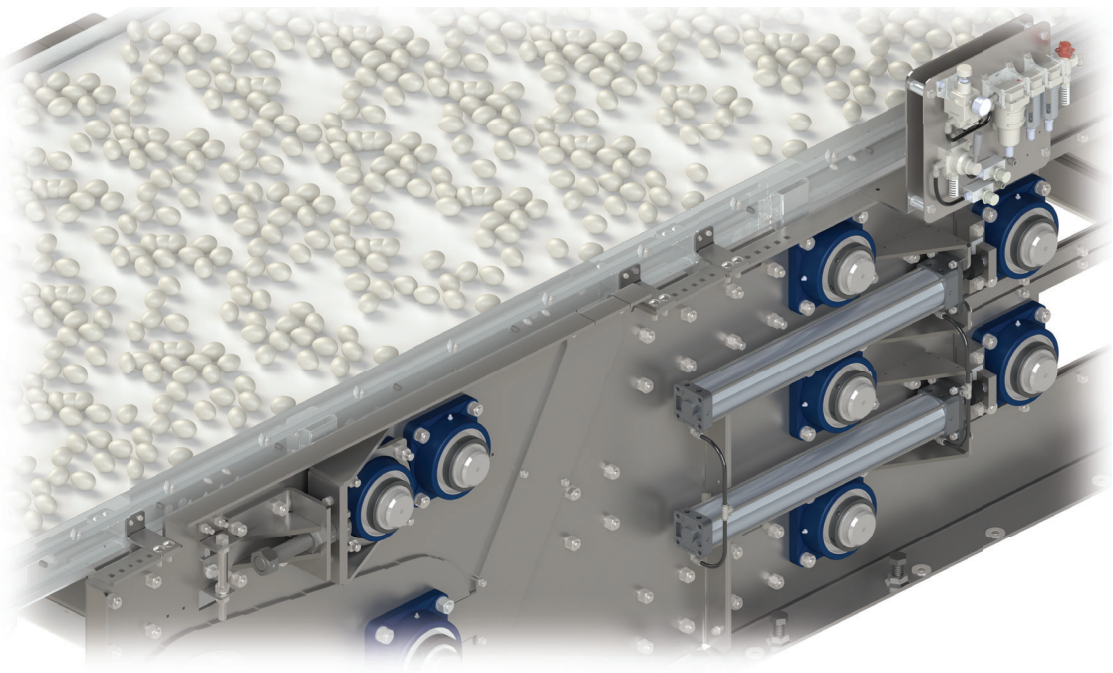




Egg Conveying Technology



Belt Conveyor for Egg Transport
OvoTrac-60

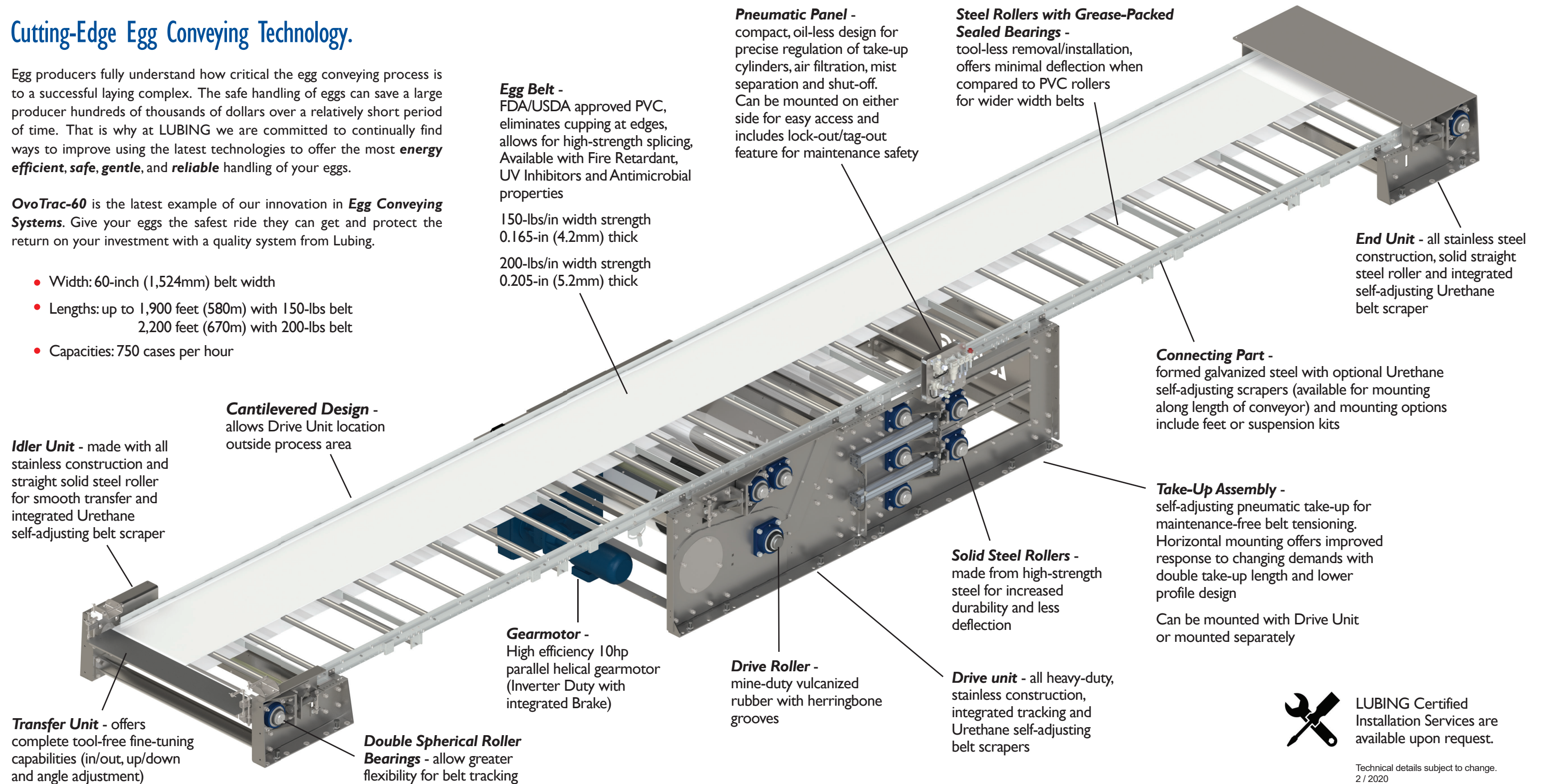
OvoTrac-60 Belt Conveyor System. The Mother Of All Belts.

Cutting-Edge Egg Conveying Technology.

Egg producers fully understand how critical the egg conveying process is to a successful laying complex. The safe handling of eggs can save a large producer hundreds of thousands of dollars over a relatively short period of time. That is why at LUBING we are committed to continually find ways to improve using the latest technologies to offer the most **energy efficient, safe, gentle, and reliable** handling of your eggs.

OvoTrac-60 is the latest example of our innovation in **Egg Conveying Systems**. Give your eggs the safest ride they can get and protect the return on your investment with a quality system from Lubing.

- Width: 60-inch (1,524mm) belt width
- Lengths: up to 1,900 feet (580m) with 150-lbs belt
2,200 feet (670m) with 200-lbs belt
- Capacities: 750 cases per hour



Idler Unit - made with all stainless construction and straight solid steel roller for smooth transfer and integrated Urethane self-adjusting belt scraper

Cantilevered Design - allows Drive Unit location outside process area

Transfer Unit - offers complete tool-free fine-tuning capabilities (in/out, up/down and angle adjustment)

Double Spherical Roller Bearings - allow greater flexibility for belt tracking

Gearmotor - High efficiency 10hp parallel helical gearmotor (Inverter Duty with integrated Brake)

Drive Roller - mine-duty vulcanized rubber with herringbone grooves

Egg Belt - FDA/USDA approved PVC, eliminates cupping at edges, allows for high-strength splicing, Available with Fire Retardant, UV Inhibitors and Antimicrobial properties

150-lbs/in width strength
0.165-in (4.2mm) thick
200-lbs/in width strength
0.205-in (5.2mm) thick

Pneumatic Panel - compact, oil-less design for precise regulation of take-up cylinders, air filtration, mist separation and shut-off. Can be mounted on either side for easy access and includes lock-out/tag-out feature for maintenance safety

Steel Rollers with Grease-Packed Sealed Bearings - tool-less removal/installation, offers minimal deflection when compared to PVC rollers for wider width belts

Solid Steel Rollers - made from high-strength steel for increased durability and less deflection

Drive unit - all heavy-duty, stainless construction, integrated tracking and Urethane self-adjusting belt scrapers

Connecting Part - formed galvanized steel with optional Urethane self-adjusting scrapers (available for mounting along length of conveyor) and mounting options include feet or suspension kits

Take-Up Assembly - self-adjusting pneumatic take-up for maintenance-free belt tensioning. Horizontal mounting offers improved response to changing demands with double take-up length and lower profile design

Can be mounted with Drive Unit or mounted separately

End Unit - all stainless steel construction, solid straight steel roller and integrated self-adjusting Urethane belt scraper

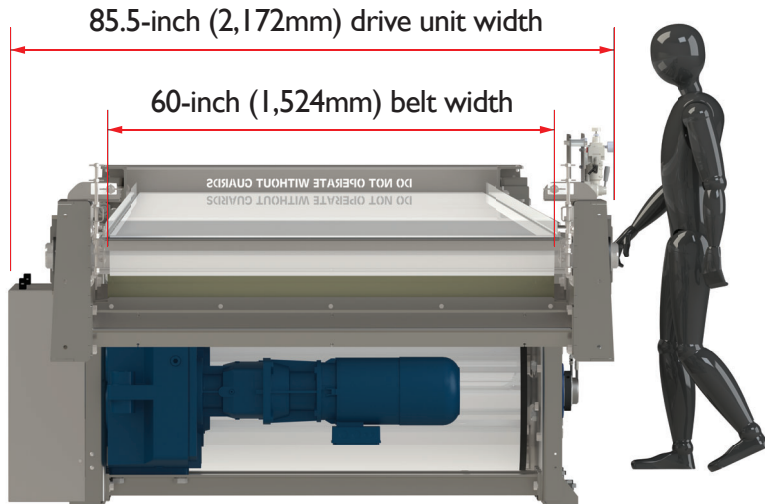


LUBING Certified Installation Services are available upon request.

Technical details subject to change.
2 / 2020

At a Glance.

System Overview



Features and Benefits.

- Engineered and FEA Simulated for real-world stresses and loads
- Maximum operational safety and minimum maintenance
- Efficient design = Energy savings (ROI and cost of ownership)
- Internal gearmotor mounting, compact design, requires less space
- Automatic tensioning and self-adjusting pneumatic take-up
- Single Drive Unit = Less Maintenance, minimal electrical install
- Lengths: up to 1,900 feet (580m) with 150-lbs belt
2,200 feet (670m) with 200-lbs belt
- Capacities: up to 750 cases per hour
- Spherical bearings offer prolonged shaft life and improve tracking
- High strength steel shaft for extended life and minimal deflection
- Self-Adjusting Urethane Scrapers
- Egg Transfer Assembly allows tool-free precision adjustments
- Available in 150-lbs or 200-lbs Belt, USDA/FDA approved with optional UV Inhibitors, Fire Retardant and Antimicrobial properties

Drive / End Unit Frames -

Custom mounting frames are based on individual needs and offer a rigid design and secure mounting. Custom frames are available from Lubing or prints can be provided.



Diverter Arms -

The optional diverter arms can be installed anywhere on the system. The 60-inch (1,524mm) long diverter allows the eggs to be moved slowly and gently on the belt, reducing the risk of checks.



Lubing Belt Conveyor, Curve Conveyor and Accumulator Table.

Got Lubing? For additional information regarding our cutting-edge poultry products please call us at **423 709.1000**, write to info@lubingusa.com or visit our website at www.lubingusa.com.

LUBING